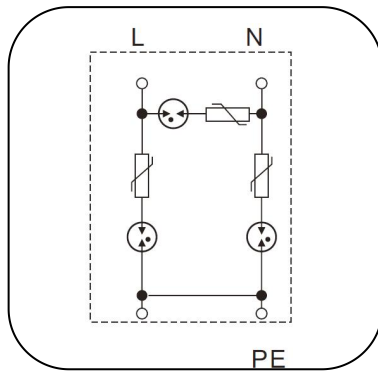


POWER SUPPLY SYSTEM

SURGE ARRESTERS FOR LED STREET LIGHT

WS3VT/390-10



Basic circuit diagram



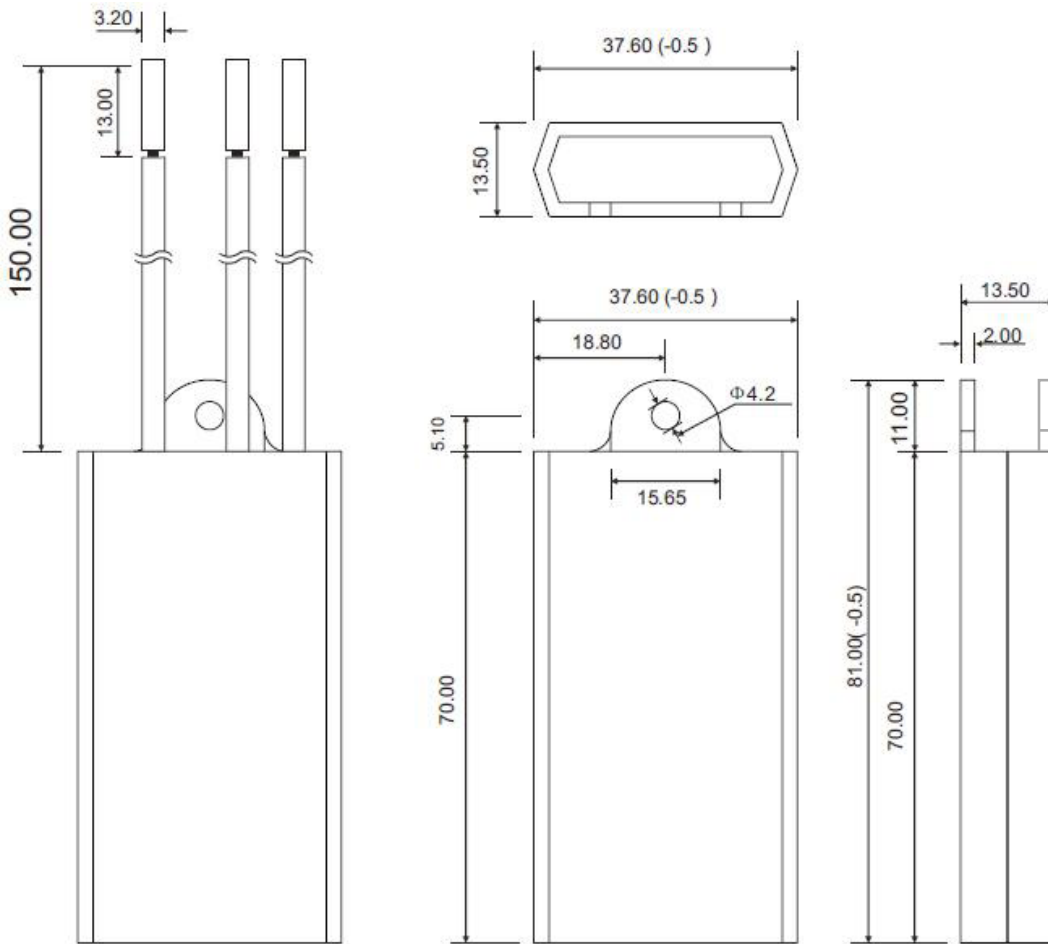
PROSURGE made low voltage surge protector WS3VT/390-10 is a compact surge protection device (SPD) especially for outdoor LED light and LED street light lightning & surge protection. All mode protection circuit enables it used universally in worldwide. VT technology be used to eliminate leakage current to ground (or protective conductor) to avoid malfunction of upstream residual current protection device.

- Surge arrester comply with IEC 61643-11 and UL 1449 4th.
- Designed to protect single phase LED light applications or other electrical and electronic facility.
- Suitable for using in Un 110~277Vac single phase.
- VT (GDT and MOV in series) technology to eliminate leakage current. And provide better reliability and robustness & TOV(temporary over-voltage) withstand performance
- **Max Discharge Current** up to 10kA 8/20us and **Open Circuit Voltage** Uoc to 20kV.
- Offering full mode protection to L-PE, L-N, N-PE.
- IP67 waterproof enclosure.

Type	WS3VT/390-10	
In accordance with	IEC61643-11:2011; UL1449 4th	
Category IEC/VDE/UL	II+III/C+ D/ Type 4 CA	
Connection Type	Parallel connection	
Power system (single phase)	110VAC~347VAC	
Max. continuous operating voltage	Uc (AC)	390VAC
Mode of Protection	Full mode protection (L-PE, L-N, N-PE)	
Nominal discharge current(8/20) In	5kA	
Max. discharge current(8/20) Imax	10kA	
Open circuit voltage Uoc	20kV	
Voltage protection level (L-PE, L-N, N-PE)	Up	≤1.1kV
Response time	≤25 ns	
Follow current	No	
Backup fuse(only required if not already provided in mains)	32A gL/gG	
Operating temperature range	- 40°C ~ +80°C	
connection wire	1.5 mm ² flexible (L/N: Blue/Brown; PE=Y/G)	
Enclosure material	ABS; extinguishing degree UL94 V-0	
Degree of protection	IP67 (Waterproof)	
Dimension	81*37.6*13.4mm	
Altitude	≤3000m	
Relative Humidity	≤95% Non Condensing	

POWER SUPPLY SYSTEM

Dimension Drawing (mm)



Connection Diagram

